



# ESiGO 8 Pro



**PORTABLE POWERED SPEAKER**

**USER MANUAL**

# ESiGO 8 Pro

CAUTION AND SAFETY	1
INTRODUCTION	3
FEATURE	3
PACKING LIST	4
PANEL DESCRIPTION	5-7
SPECIFICATIONS	8
DIMENSIONS	9
TRADEMARK AND LICENSES	10

---

## CAUTION!

To reduce the risk of electric shock, do not remove cover (or back). There are no user serviceable parts inside. Maintenance and repairs should be exclusively carried out by qualified service personnel.



The warning triangle with lightning symbol indicates dangerous uninsulated voltage inside the unit, which may cause an electrical shock.



The warning triangle with exclamation mark indicates important operating and maintenance instructions.

## IMPORTANT SAFETY INSTRUCTIONS

- Read these instructions.
- Keep these instructions.
- Heed all warnings.
- Follow all instructions.
- Water & Moisture : The apparatus should be protected from moisture and rain, and can not used near water, for example: near a bathtub, kitchen sink swimming pool, etc.
- Heat : The apparatus should be located away from the heat source such as radiators, stoves or other appliances that produce heat.
- Ventilation : Do not block areas of ventilation opening. Failure to do so could result in fire. Always install accordance with the manufacturer's instructions.
- Object and Liquid Entry : Objects do not fall into and liquids are not spilled into the inside of the apparatus for safety.
- Power Cord and Plug : Protect the power cord from being walked on or pinched particularly at plugs, convenience receptacles, and the the point where they exit from the apparatus. Do not defeat the safety purpose of the polarized or grounding-type plug. A polarized plug has two blades one wider than the other. A grounding-type plug has two blades and a third grounding prong.  
The wide blade or the third prong is provided for your safety. If the provided plug does not fit into your outlet, refer to the electrician for replacement.
- Power Supply : The apparatus should be connected to the power supply only of the type as marked on the apparatus or described in the manual. Failure to do so could result in damage to the product and possibly the user. Unplug this apparatus during lightning storms or when unused for long periods.
- Fuse : To prevent the risk of fire and damaging the unit, please use only of the recommended fuse type as described in the manual. Before replacing the fuse, make sure the unit turned off and disconnected from the AC outlet.
- Electrical Connection : Improper electrical wiring may invalidate the product warranty.
- Cleaning : Clean only with a dry cloth. Do not use any solvents such as benzol or alcohol.
- Servicing : Do not implement any servicing other than those means described in the manual. Refer all servicing to qualified service personnel only.
- Only use accessories/attachments or parts recommended by the manufacturer.
- Warning : Please remember the high sound pressure does not only temporarily damage your sense of hearing, but can also cause permanent damage.  
Be careful to select a suitable volume.

## INTRODUCTION

Enjoy your sound anywhere! With ESiGO 8 Pro professional portable powered speaker. Compact and lightweight design. By loudspeaker sound high-quality 8" woofer Built-in Class-D Bi-amplifier with 4 DSP processors for smooth sound audio and Battery run time Up to 10 hours (depending on usage). Professional sound high power 190 watts maximum SPL of 113 dB. Applications for outdoor performances, presentations, parties, events, fitness, live music, sing a song, by wireless music via Bluetooth TWS 5.0 (True Wireless Stereo)

## FEATURE

- 2-way Active speaker.
- 8" LF woofer and 1" HF compression driver.
- Frequency response : 60Hz-19kHz
- Built-in 3 Channels mixer.
  - 2 CH Mic/line mono combo (XLR/TRS)
  - 1 CH AUX 1 x RCA(L/R) / 1 x 3.5mini jack.
    - Input channel functions CH1, 2 selection switch used for guitar signal input.
- Built-in Line Output : XLR
- Bi-Amplifier CLASS-D / 190 Watts. (MAX)
- Bluetooth TWS (True Wireless Stereo) Version 5.0
- DSP 4 mode : Music, Live, Monitor, Speech
- Battery run time: Up to 10 hours (depending on usage)
- Coverage angle (H x V) : 100° x 60°
- Operating voltage : AC 100-240V 50/60Hz / DC 15V

# ESiGO-8PRO PROFESSIONAL PORTABLE POWERED SPEAKER

---

## PACKING LIST

- ESiGO 8 Pro x 1 pcs.
- Bag x 1 pcs.
- Power cable x 1 pcs.
- User manual x 1 book.

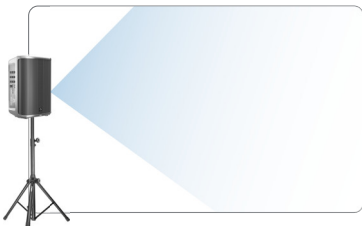
## MULTI-POSITION



Speaker Stand

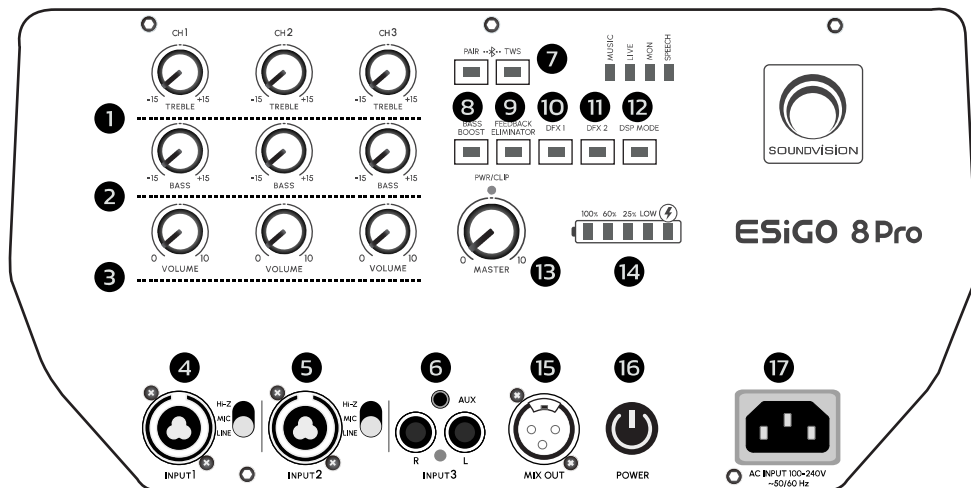


Tilt-Back



Monitor

## PANEL DESCRIPTION



1. TREBLE CONTROL (Input CH1, 2, 3)  
Adjust the high-frequency balance of your microphone or instrument.
2. BASS CONTROL (Input CH1,2,3)  
Adjust the low-frequency balance of your microphone or instrument.
3. VOLUME (Input CH1, 2, 3)  
Adjust the volume of your microphone, instrument or audio source.
4. INPUT 1 – Analog input for connecting microphone (XLR) and instrument (TS unbalanced) cables.  
– Switch: Move the switch to the LINE/MIC or HI-Z position to enable the master signal.
5. INPUT 2 – Analog input for connecting microphone (XLR) and instrument (TS unbalanced) cables.  
– Switch: Move the switch to the LINE/MIC or HI-Z position to enable the master signal.
6. INPUT 3 – Aux input: Use a 3.5 mm TRS cable to connect a line-level audio source.

### PANEL DESCRIPTION

#### 7. BLUETOOTH

##### PAIR

Press the Pair button and hold for 3 seconds, the blue light on the button blinks, and Bluetooth is turned on to enter the searchable connection state. At this time, turn on the mobile phones, tablets and laptops to enter the Settings – Bluetooth interface, find the name "ESiGO 8Pro" and click to connect, and the blue light on the button stops blinking after the connection is successful. Then open the Volume and MasterVolum knobs of the IN3 channel to play music from your device.

##### TWS

When the Pair button is blinking, hold down the TWS button for 3 seconds and the green light on the TWS button blinks. Similarly, hold down the Pair button on another ESiGO 8Pro and the Pair button blinks.

Then press the TWS button on any ESiGO 8Pro for 3 seconds and the green light blinks ESiGO 8Pro Becomes the host, and then enters the TWS interconnection state.

After the connection is successful, the TWS button stops blinking, and the Pair button light of the slave is off. In this case, both ESiGO 8Pro and ESiGO 8Pro can play sound when the mobile phones, tablets and laptops device is used.

Indicate the battery charge status (in battery mode). If only the "red low" indicator lights up, the battery should be charged. The charge indicator lights up during charging. When the battery is fully charged, the LED switches off.

\*Hold down the Pair button for 3 seconds to turn off Bluetooth and disconnect from your mobile device

#### 8. BASS BOOST

The function is only for IN3 and Bluetooth input signals to do the bass enhancement.

#### 9. FEEDBACK ELIMINATOR

The function is active the feedback suppression for the microphone inputs

#### 10. DFX 1.

The function is activated digital reverb effect for instruments and audio sound.

#### 11. DFX 2.

The function is activated digital echo effect for instruments and audio sound.

## PANEL DESCRIPTION

### 12. DSP MODES

- MUSIC mode: for venues that require a strong sense of rhythm music. Built-in dynamic treble and bass adjustment, and is suitable
- LIVE mode: for use in a live performance
- Monitor mode: for your performance. Was tailored to reduce excess low-frequency output when coupled with the ground, while also reducing mid-range bite
- SPEECH mode: for speech only or spoken word applications and facing towards the audience. Use this setting when the speaker is being used.

### 13. MASTER VOLUME Adjust the overall volume

### 14. BATTERY LEVEL



Battery Life Indicator

LED to flash. See the following table for charge indicators:  
The current state of the battery life is shown by the power LED, which will flash when the unit is powered on.

### 15. MIX OUTPUT XLR for routing the mixed signal (mono) to devices with line level inputs (Exexternal amplifier system)

### 16. POWER SWITCH

Press and hold the Power button for 1 second to light up and turn on the device.  
Press and hold the Power button for 3 seconds to turn off the power.

### 17. AC POWER SOCKET

It is used to connect the power supply to the unit via the enclosed power cord.



# ESIGO-8PRO PROFESSIONAL PORTABLE POWERED SPEAKER

---

## SPECIFICATIONS

### AUDIO

Speaker type	Portable 2-way active speaker
Drivers	LF 8" woofer, HF 1" compression driver
Frequency response	60Hz-19KHz
Maximum SPL	113dB
Sensitivity 1w/1m	95dB
Coverage angle (H x V)	100° x 60°
Amplifier	Bi-Amplifier CLASS-D
Amplifier rating	190W (MAX)
THD	<0.1% 20Hz-20KHz
Operating voltage	AC 100-240V 50/60Hz / DC 15V

### CONNECTION

Input	2 Mic/line mono combo (XLR/TRS)   AUX 1 x RCA(L/R) / 1 x 3.5mini jack
- Input channel functions	CH1, 2 selection switch used for guitar signal input
Output	XLR
EQ	High, Bass, ±15dB
Media Player	
Bluetooth Version	TWS 5.0
Bluetooth Range	>15 Meters
DSP Processor	
Effect functions	Bass boost / feedback eliminator / DFX 1. (digital reverb effect) / DFX 2. (digital echo effect)
DSP modes	1. Music, 2.Live, 3.Monitor, 4.Speech
Sampling frequency	48KHz/32Bit, MIC Lowcut, Crossover, Limiter, Talkover, Reverb, Parameter EQ

### BATTERY

Rechargeable Battery	7800mAh Lithium Battery
Battery run time	9-10 hours (Vol. 25%) / 6-8 hours (Vol. 50%) / 3.5-5 hours (Vol. 80% up)
Recharge Time	Approximately 4 hours

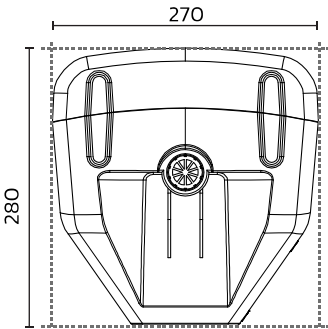
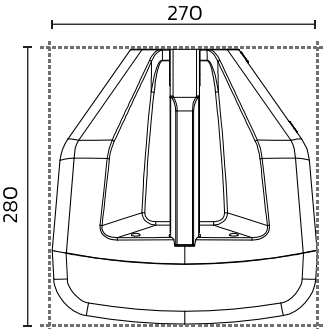
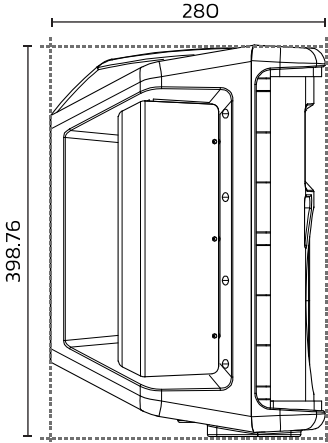
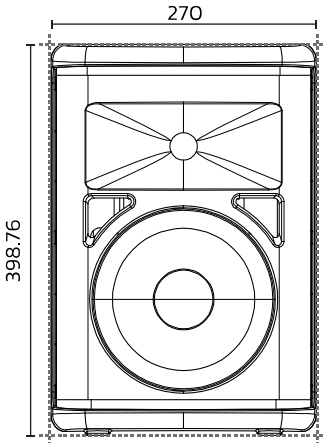
### GENERAL

Enclosure	ABS
Grille material	Metal
Color	Black
Dimensions (H*W*D)	398.76 x 270 x 280mm
Weight	8kgs

**NOTE:** SOUNDVISION products are subject to a process of continuous development. Specifications are subject to change without notice.

\* Bluetooth range is affected by walls, obstructions, and movement. For optimal performance, place the product in the center of the room so it is unobstructed by walls, furniture, etc.

## DIMENSIONS



TRADEMARK AND LICENSES



**SOUNDVISION™** is a trademark of SOUND VISION CO., LTD. registered in the Thailand, China, Laos and other countries. Names are trademarks or registered trademarks of their respective owners.

**SOUND VISION CO., LTD.**

99/189 Moo 4, Sala Klang, Bang Kruai, Nonthaburi 11130 Thailand

Support : 02-433-9988      LINE Official : @soundvisionpro

Email : info@soundvision.co.th      www.soundvisionpro.com



**SOUNDVISION™**